

A-line dress Size: 6 - 9 months

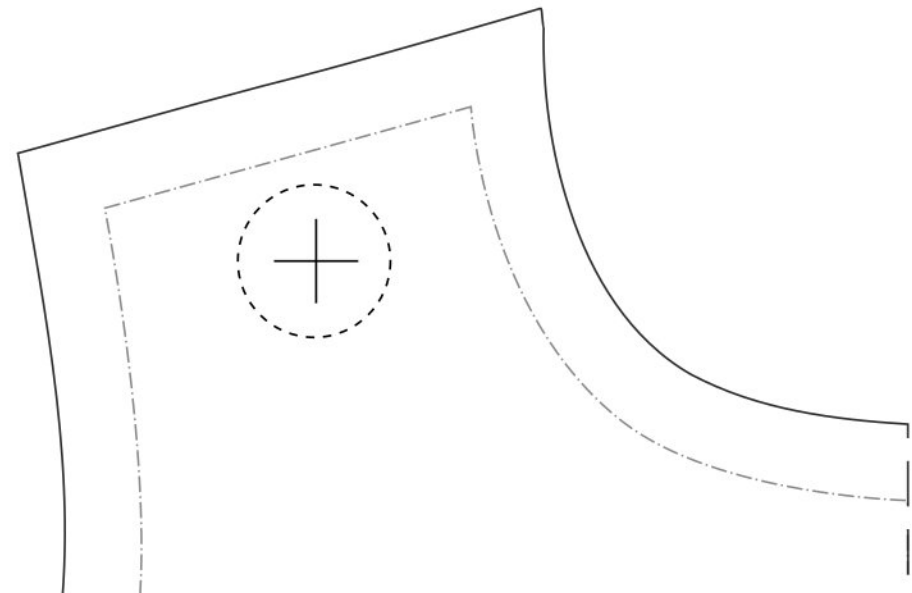
Scale: 100%

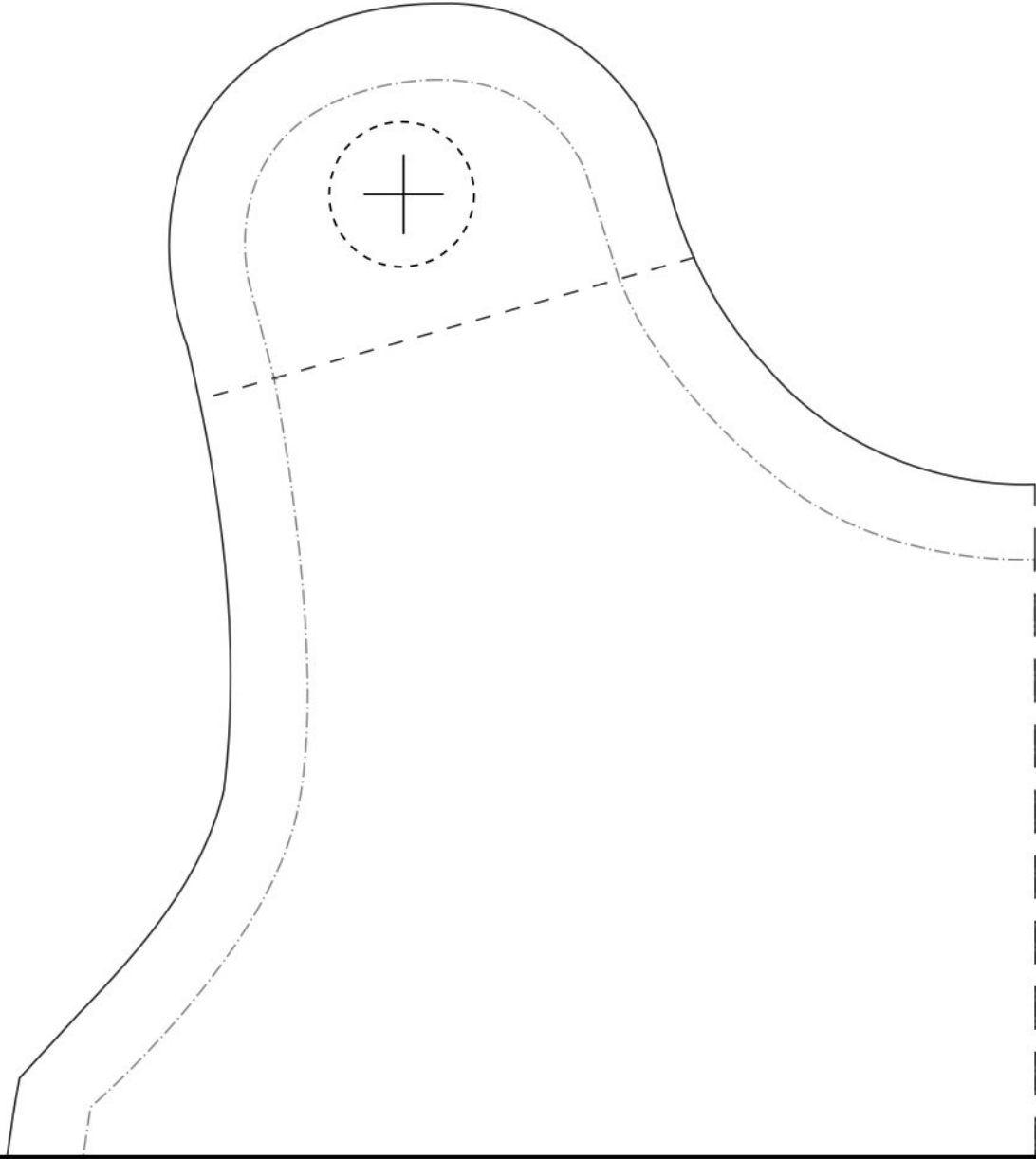
The seam allowance is already included in the pattern

Not intended for commercial use

© Small dreamfactory

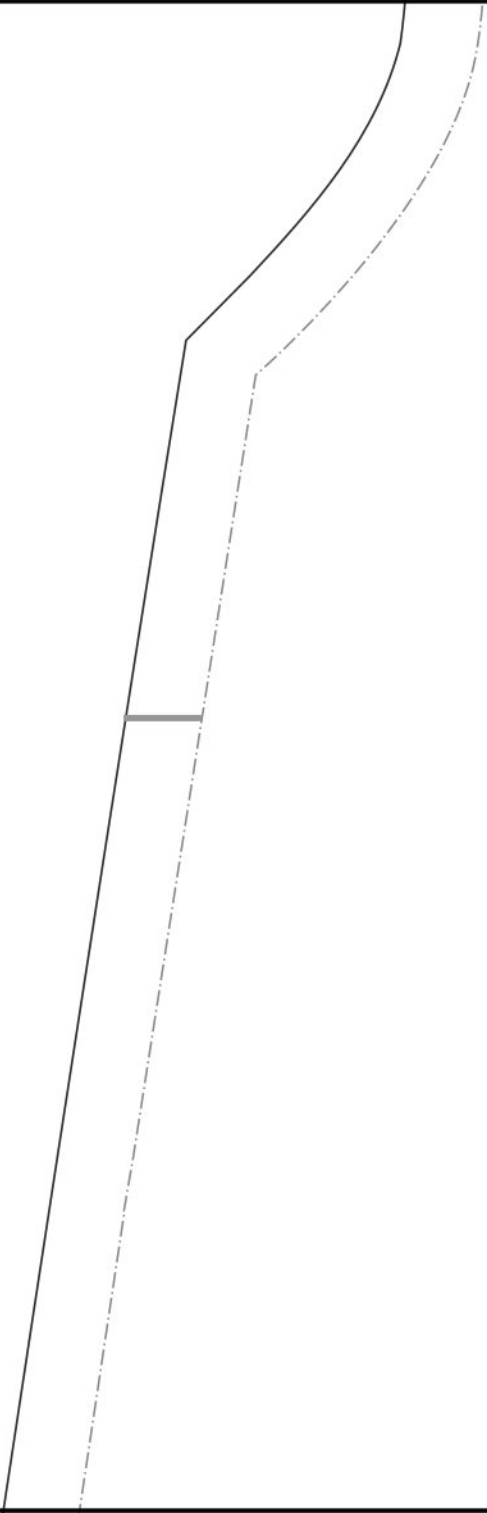
www.smalldreamfactory.com







control square
2" x 2"
5 cm x 5 cm







Front



Back



The seam allowance is already included in the pattern



Pattern without seam allowance